



Applied Critical Fluids GmbH

Industriestrasse 53

68169 Mannheim

Tel.: +49 (0) 621 309 809 30

Fax.: +49 (0) 621 309 809 399

email: info@acftec.de



ASEPTIQUIK™
CONNECTOR



AseptiQuik™ Connectors provide quick and easy sterile connections, even in non-sterile environments. AseptiQuik's "CLICK-PULL-TWIST" design enables users to transfer media easily with less risk of operator error. The connector's robust design provides the highest level of reliability without the need for additional hardware. Biopharmaceutical manufacturers can make sterile connections with the quality and market availability they expect from the leader in single-use connection technology.

Features

- CLICK-PULL-TWIST Design
- Membrane Pull Tabs
- Robust Construction
- Integrated Lock Ring
- Colder Click
- Market Availability

Benefits

- Intuitive three step connection process reduces risk of operator error
- Ensure simultaneous and secure removal of both membranes
- Repeatable and reliable performance with no additional hardware required
- Secures final connection preventing disassembly
- Audible confirmation of completed assembly steps
- Open access through multiple supply chain partners

AseptiQuik Specifications

Pressure: Up to 60 psi, 4.1 bar

Temperature:
39°F to 104°F (4°C to 40°C)

Typical Flow Rate:
Cv = 14.4 max

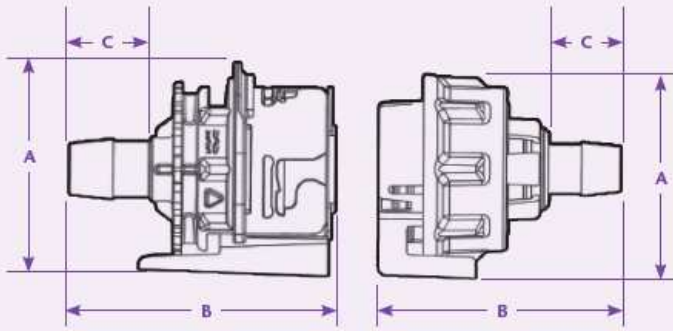
Sterilization:
Gamma: Up to 50kGy irradiation
Autoclave:
Standard Version:
 Up to 250°F (121°C) for 30 minutes
High Temp (HT) Version:
 Up to 266°F (130°C) for 30 minutes

Termination Sizes:
1/2" and 3/8" hose barbs and 3/4" sanitary

Materials:
Main Components:
 Polycarbonate, USP Class VI, ADCF
Caps:
 Polypropylene (clear), USP Class VI, ADCF
Seals:
 Silicone (clear), platinum-cured, USP Class VI, ADCF
Membrane:
 Polyethylene (standard version)
 Hydrophobic polyethersulfone (HT version)

Visit us at
www.colder.com/aseptiquik
 or call 651-645-0091 for more
 information.

Product Dimensions



A = Height/Diameter
B = Total Length
C = Hose Barb Length

Coupling Bodies



POLYCARBONATE with Blue Pull Tabs

TERMINATION	PART NO.	A	B	C	
1/2" HOSE BARB	AQC17008	2.36 (59.9)	2.95 (74.9)	0.89 (22.6)	COMING SOON!
3/8" HOSE BARB	AQC17006	2.36 (59.9)	2.74 (69.6)	0.65 (16.5)	COMING SOON!
3/4" SANITARY	AQC33012	2.36 (59.9)	2.73 (69.3)	0.70 (17.8)	COMING SOON!

Coupling Bodies - High Temperature



POLYCARBONATE with White Pull Tabs

TERMINATION	PART NO.	A	B	C	
1/2" HOSE BARB	AQC17008HT	2.36 (59.9)	2.95 (74.9)	0.89 (22.6)	COMING SOON!
3/8" HOSE BARB	AQC17006HT	2.36 (59.9)	2.74 (69.6)	0.65 (16.5)	COMING SOON!
3/4" SANITARY	AQC33012HT	2.36 (59.9)	2.73 (69.3)	0.70 (17.8)	COMING SOON!

Coupling Inserts



POLYCARBONATE with Blue Pull Tabs

TERMINATION	PART NO.	A	B	C	
1/2" HOSE BARB	AQC22008	2.50 (63.5)	2.99 (75.9)	0.89 (22.6)	COMING SOON!
3/8" HOSE BARB	AQC22006	2.50 (63.5)	2.90 (73.7)	0.65 (16.5)	COMING SOON!
3/4" SANITARY	AQC44012	2.50 (63.5)	2.80 (71.1)	0.70 (17.8)	COMING SOON!

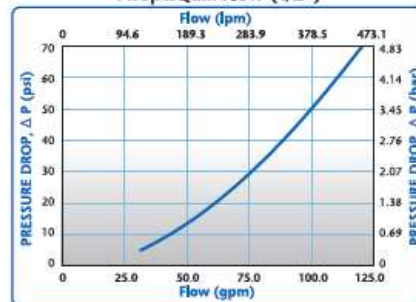
Coupling Inserts - High Temperature



POLYCARBONATE with White Pull Tabs

TERMINATION	PART NO.	A	B	C	
1/2" HOSE BARB	AQC22008HT	2.50 (63.5)	2.99 (75.9)	0.89 (22.6)	COMING SOON!
3/8" HOSE BARB	AQC22006HT	2.50 (63.5)	2.90 (73.7)	0.65 (16.5)	COMING SOON!
3/4" SANITARY	AQC44012HT	2.50 (63.5)	2.80 (71.1)	0.70 (17.8)	COMING SOON!

AseptiQuik Flow (1/2")



Pre-Assembly Cap Removal



CLICK-PULL-TWIST Assembly Procedure



Align male and female couplings, push together until audible "Colder Click" confirmation.

Slight rotation of lock ring may be required for proper alignment prior to connection.

Snap membrane pull tabs together and pull from connector.



Twist the blue lock ring clockwise until audible "Colder Click." Alignment of the lock ring rib with the body's arrow indicator confirms final connection.



Connect with Colder
Sterile Fluid Transfer