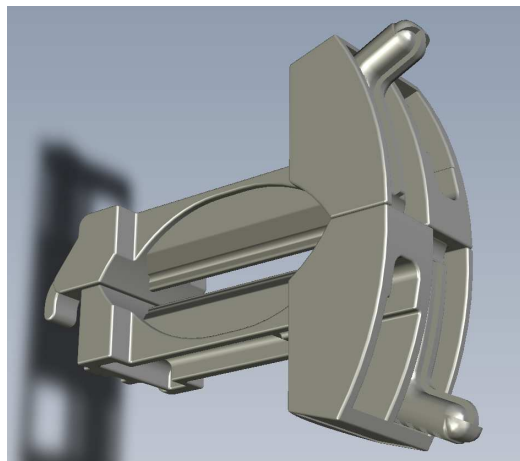
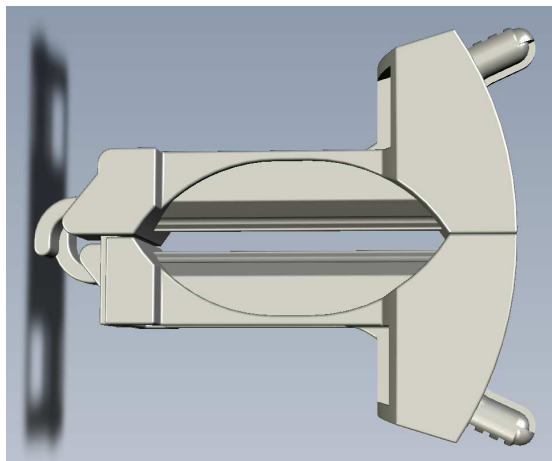


ACF PHARMA CLAMP

We have (disposable) clamps to be utilized on commonly used tubing (e.g. silicone & TPE tubing) in biotech and pharma industry. The component is meant to seal off the fluid path on tubing with a simple unlocking feature to open the fluid path. Typical applications that these clamps might be used for consist of but are not limited to: disposable bags; filtration systems; mixing containers and vessels; assemblies and tubing sets.



Features/Benefits

- Three sizes available
- Two different materials available (Polycarbonate & Polysulfone)
- Secure Lock / Easy to use (one hand)
- Reusable
- LOT traceability

Size	Possible Tubing OD (silicone) *	Polycarbonate	Polysulfone
“Standard”	5,6 to 35 mm (7/32” to 1-3/8”)	ACF9035MC	ACF9035MP
“Small”	2,4 to 12,7 mm (3/32” to 1/2”)	ACF9035SC	ACF9035SP
“Big”	12,7 to 35 mm (1/2” to 1-3/8”)	ACF9035BC	ACF9035BP

* clamp size to be used has to be tested by the customer in his individual application

Specifications

- Material: Polycarbonate (Standard) & Polysulfone (High Quality)
- USP Class VI certified material
- Gamma Radiation up to 50 kGy
- Polycarbonate Version: Autoclavable up to 121°C for a maximum of 15 min (without load)
- Polysulfone Version: Autoclavable up to 134°C for a maximum of 15 min
- FDA 21 CFR177
- Animal Free (Polysulfone Version only)